

GC11 Two Way Paddle Latch System

Features

- With these units the paddle case has an integral 2-way mechanism, allowing it to be used for slam systems on larger doors, fitted vertically or horizontally
- Full choice of finish options, with several types of available end latches
- Order as centre units only, or full sets as illustrated
- For stainless model, entire centre case is of stainless steel 304 construction including heavy duty slide and locking cam, as well as case and flap.
- Latches slam against sides of door frame or strikers, released by lifting paddle flap
- Locking with key blocks flap and 2-way mechanism, but end latches are still free to operate using 'free movement' aperture in link bar
- Stainless models have pierced rim as shown or internal welded studs, with moulded gasket. Mild steel models normally have plain rim (for weld-on mounting). Link bars held by split pin on pillar rivets.

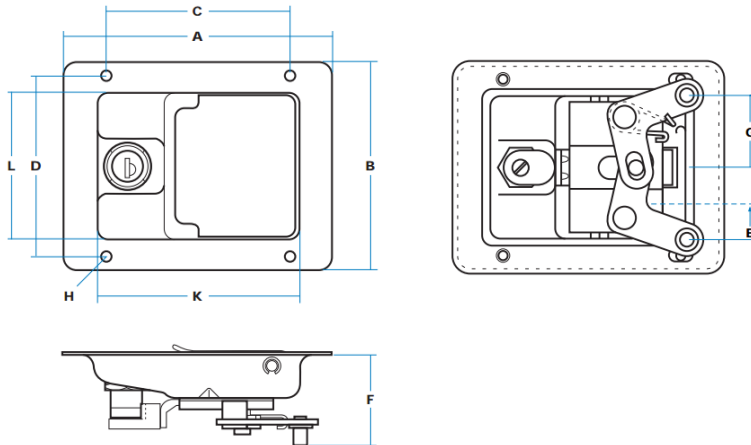


Material (of centre case only)

- Stainless steel models: Stainless steel 304, mirror finish
- Steel models: Mild steel, zinc plated

Notes

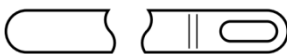
- Contact Gripwell sales for end latches selection (**GD9 Series**) or for 'Blind-Mounting' models



'Blind-mounting' models have four studs (M6 x 15 mm) welded on inside flanges

Part No.	Material	Rim	Type	Key	A	B	C	D	E	F	G	H	K	L
GC11-G00438	Stainless Steel	Pierced	Centre Case Only	Standard	140	108	95	94	15	37	47	5	105	76
GC11-G00438-01				FS880										
GC11-G00417				Non-Locking										
GC11-G00439			Complete System	Standard										
GC11-G00439-01				FS880										
GC11-G00437				Non-Locking										
GC11-G00409	Mild Steel	Plain	Centre Case Only	Standard	140	108	95	94	15	37	47	5	105	76
GC11-G00409-01				FS880										
GC11-G00416				Non-Locking										
GC11-G00429			Complete System	Standard										
GC11-G00429-01				FS880										
GC11-G00436				Non-Locking										

Note: 'F' can be reduced to 30 mm by mounting pillars on inside face of levers



Standard linkage bar G12497 (915 mm) used for 2-way slam system. Piercing allows 'quick fit' attachment of latches and free movement when centre is locked.